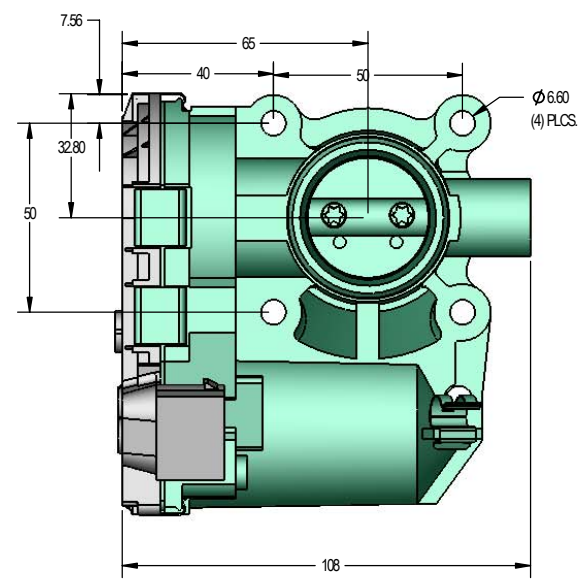
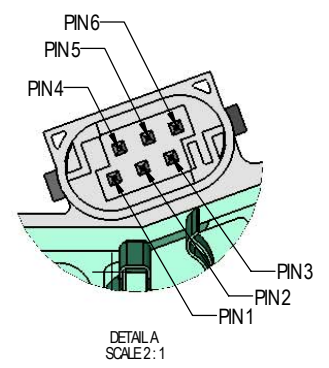
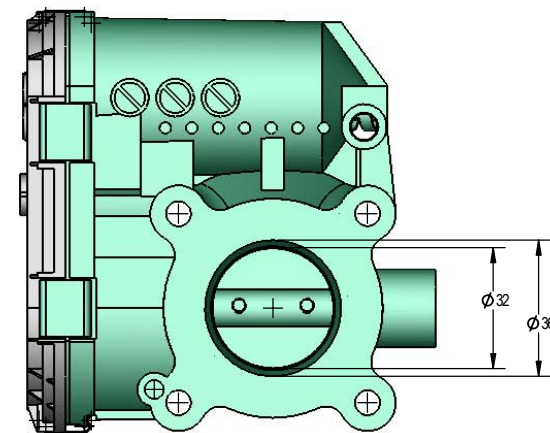
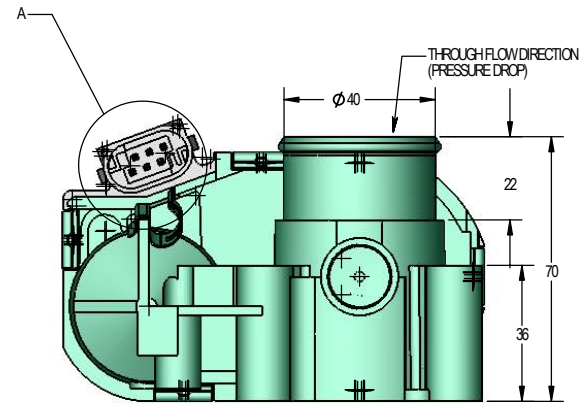
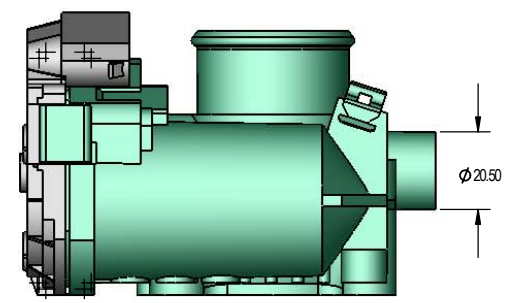
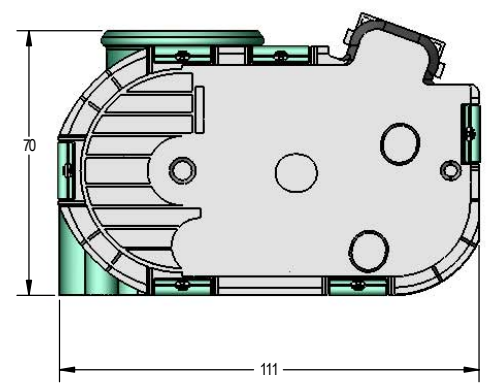


REVISIONS				
DATE	REV	DESCRIPTION	DRAWN	APPROVED



RB WARRANTY WILL COVER THE FUNCTION OF THE CONNECTOR SYSTEM ONLY IN CASE OF COVINATION WITH OPPOSITE CONNECTOR SYSTEM PARTS ACCORDING TO THIS OFFER DRAWING.



PIN #	DESIGNATION
1	H -
2	DRVG
3	DRVP
4	H +
5	NEGATIVE SIGNAL
6	

THE CUSTOMER IS RESPONSIBLE FOR THE THROTTLE BODY APPLICATION ACCORDING TKU Y 289 K00 025 AND MOUNTING CONDITIONS Y 289 K00 031

UNLESS OTHERWISE SPECIFIED TOLERANCES ARE IN INCHES		DATE	NAME	 805 MARION ROAD OSHTOSH, WISCONSIN 54901
FRACTIONAL .005	TOLERANCES	11-01-04	JJS	
ANGULAR .0045*	CHECKED	11-01-04	DKK	TITLE
ROUNDNESS .0045*	ENG'G APPR.	11-01-04	DKK	<b>VALVELEC. THRTL CNTRL. 32MM</b>
TWO PLACE DECIMAL .010	DATE			ASSEMBLY
THREE PLACE DECIMAL .0125	DESCRIPTION			SCALE: 1:1
INTERFACET GEOMETRIC TOLERANCING PER	PROPRIETARY AND CONFIDENTIAL			WGHT:
MATERIAL	THE INFORMATION CONTAINED IN THIS DRAWING IS THE SOLE PROPERTY OF MOTOIRON. ANY REPRODUCTION IN PART OR AS A WHOLE WITHOUT THE WRITTEN PERMISSION OF MOTOIRON IS PROHIBITED.			SHEET 1 OF 1
FINISH	SEE NOTE			REV
REVISIONS				<b>C VALVE-ETC-002 00</b>